

lubrication, cooling system, braking, heating system, if need be), except for the fuel tank, must be full.

The minimum weight of the car mentioned on the recognition form shall be strictly respected. Any lightening of the car by removal or replacement of parts, aiming at reducing its weight, is prohibited.

It is specified that the minimum weight indicated on the recognition form is that of the car as it is described in the basic recognition form.

Additional equipment and instruments (revolution counter, tool kits, roll-bar, extra lamps, etc.), whether recognized or not as variants for the model concerned, and fitted on the car for use in certain types of competition, cannot be considered as included in the minimum weight indicated on the recognition form.

During a verification of the weight of a car, the said equipments or instruments must therefore be removed from the car. If, for practical reasons, such a removal proves to be difficult, it is recommended that the promoters require the entrants to supply a detailed list of all additional equipments and instruments fitted on the car, with indication of their respective weights. For the technical verification, these weights must then be added to the basic minimum weight indicated on the recognition form concerned.

Art. 253.—Prescriptions common to all cars of categories A and B.

a) Chassis, ground-clearance, steering lock: the car, supplied with enough fuel for starting the event, its oil and water tanks full, must be able to drive over—under the power of its engine and with its driver at the steering-wheel—a mass of 80×80 cm and 10 cm high.

The maximum steering radius shall be 6.75 m which means that the car must be able to make a complete turn in both directions without the wheels going beyond two parallel lines drawn on the ground 13.50 m apart.

b) Coachwork: minimum inside dimensions and minimum number of seats: cars shall be equipped with a minimum of two seats or a minimum of four seats according to the group in which they seek recognition and, within a same group, according to their engine cylinder-capacity.

For each group specified in these regulations, the minimum number of seats is listed hereafter and the minimum inside dimensions for both cases are indicated in the following paragraphs.

1st case (see diagram 1): car equipped with 4 or (more) seats.

The height at the front (B) is measured between the lowest point of the front seat cushion compressed by a standard mass of 60 kgs (see diagram 2) and the ceiling (the padding if any, may be compressed). Should the backrest of the front seat(s) be inclined backwards, the protected height must also be measured at the same angle as the inclination of the backrest.

— If the front seats are separate, the measurement is made in the middle of the two seats. In case of adjustable front seats, the seats will be placed in medium position.

— If there is a common front seat, the measurement is made at 25 cm from the centre line of the car.

The height at the back (D) is measured between the cushion of the rear seat, compressed by the standard mass, and the ceiling (the padding if any, may be compressed) at 25 cm from the centre line of the car. Should the backrest of the rear seat be inclined backwards, the protected height must also be measured at the same angle as the inclination of the backrest.

The width over the front seats (C) is measured along the vertical plane passing through the centre of the standard mass, 30 cm above the compressed seat, and between the upper strip of each front door.

The width over the back seats (E) is measured along the vertical plane passing

through the centre of the standard mass, 30 cm above the compressed seat and between the upper strip of each back door, or at the same height as for the front seats when there are no rear doors.

The minimum dimensions (in centimetres) are the following:

Cylinder-capacity	B	C	D	E
Up to 700 cc	85	100		
From 700 to 2,000 cc	85	110	85	110
Over 2,000 cc	90	120	85	120

Moreover, in order to be considered as a four-seater, a model must fulfill certain conditions regarding its rear-seating capacity. These conditions are the following (see diagram 3):

- 1.— l must be at least 90% of L;
m must be at least 85% of M;
n must be at least 80% of N;
p must be at least 80% of k+m.

- 2.— k must measure at least 15 cm and the minimum measures for the foot-space of the rear passengers must be: 32 cm long, 5 cm high and (for each one of the two passengers) 25 cm wide.

- 3.— the space available for the rear passengers must meet the following condition: $k+l+m=95$ cm minimum.

- 4.— cars in which the back of the rear seat(s) is inclined forward beyond the vertical cannot be considered as four-seaters.

The measuring of the above dimensions must be carried out under the following conditions:

— the front seat, if adjustable, must be placed in its normal driving position, i.e.: $K+L+M$ must measure at least 120 cm.

— if the front seats have reclining backrests, these should be set at an inclination of 15° backwards.

— K is measured horizontally from the brake pedal (at rest) to the foremost point of the front seat; k is measured horizontally at a height equal to l) from the back of the front seat to the foremost point of the rear seat.

L and l are measured vertically from the highest point of the cushion of the seat to the floor of the car. At the front L must be measured at the usual resting-place of the driver's heels.

M and m are measured horizontally from the foremost point of the seat to the backrest to be measured at a height of L (l).

Two specific cases must be distinguished:

- 1) bucket-seats: the measuring must be taken on the centre line of each seat.
- 2) common seat: measuring must be carried out at 25 cm from the longitudinal axis of the vehicle.

However, for the rear seat(s) measuring must be made in the same vertical plane as for the front seats.

N (and n) are measured vertically from the highest point of the backrest to the highest point of the cushion of the seat.

p is measured (in the same vertical plane as m) horizontally from the rearmost point of the backrest of the front seat to the backrest of the rear seat.

For the above-mentioned measurements, seats must not be occupied.

2nd case (see diagram 4 and 5): cars with a minimum of 2 seats.

The two seats must be distributed equally on either side of the longitudinal centreline of the car and at the same level, regardless of their normal play for adjusting them to the size of the driver. The location provided for placing or

housing the seats must have a minimum width of 40 cm maintained all along the depth of the seat.

The "protected height" shall be at least 80 cm measured from the cushion of the seat compressed by the standard mass (see diagram 2) to the ceiling (any existing padding being compressed) in cars with closed coachwork and 80 cm from the surface of the seat compressed by the standard mass (see diagram 2) to the upper edge of the windscreen (measured vertically through the centre of the standard mass) in case of open cars.

The minimum interior width over the front seats (see measurement C) shall be of 100 cm in cars with a cylinder-capacity inferior or equal to 700 cc, 110 cm in cars with a cylinder-capacity from 700 cc to 2,000 cc and 120 cm in cars with a cylinder-capacity exceeding 2,000 cc. The minimum width of foot-space (for each person) must be at least 25 cm measured perpendicularly to the centreline of the car, plumb with the pedals.

c) Windshield—Windshield wiper: a windshield made of safety glass is compulsory. In all production cars it shall be made of the material originally provided by the manufacturer. It shall be equipped with at least one automatic wiper sweeping a sufficient area to enable the driver to distinctly see the road from his seat.

The windshield shall comply with the following requirements:

- 1) be placed symmetrically with regard to the centreline of the car,
 - 2) have a minimum height of 25 cm, maintained between two points symmetrically placed with regard to the centreline of the car and of which one is determined by the vertical line passing through the centre of the steering-wheel. There must furthermore be at least 45 cm between the two said points,
 - 3) have a minimum width of 90 cm; chord measured at half its vertical height.
- Shall be considered as being the windshield, only the glass area through which one has an entirely free vision towards the front, without being limited by any outside opaque projection apart from the bulge of the mudguards which cover the front wheels.

d) Mudguards: shall be of permanent nature and firmly fixed.

They shall project over the wheels and provide efficient covering of at least one third of their circumference, and at least the width of the tyre.

In those cars where mudguards are entirely or partly overhung by the body structure, the combination mudguards-body or the body alone shall nevertheless meet the above protection requirements.

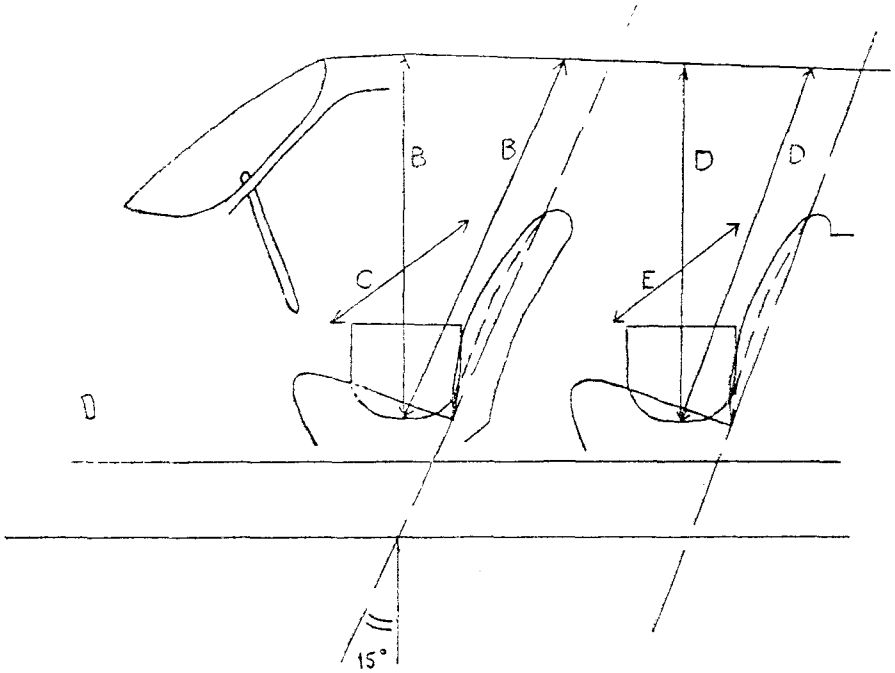
Mudguards must be solid with the body, there being no gap between them.

e) Hood: open or convertible cars shall be equipped with a hood fitting exactly, and without any intermediary device, to the windshield the door windows or side panels, and the rear of the coachwork.

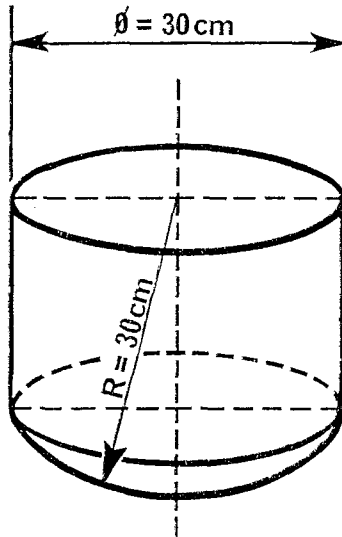
The hood may not interfere with the opening of the doors. It shall include a rear window, the minimum dimensions of which are specified in the present article (see below "rear view").

It must be capable of being used during all or part of the event. The supplementary regulations may specify in which state convertible body cars must run (as closed cars or open cars, otherwise it shall be at the discretion of the entrant) but the hood if not fitted on the car must always remain aboard the car during the whole of the event. The hood may be replaced by a hard top subject to the same conditions as for a hood.

f) Doors: all vehicles shall be fitted with at least one rigid door on each side, with closing devices and hinges which may not be located on the rear-door post, nor on the door-sill. The dimensions of the lower door panel (the part which is

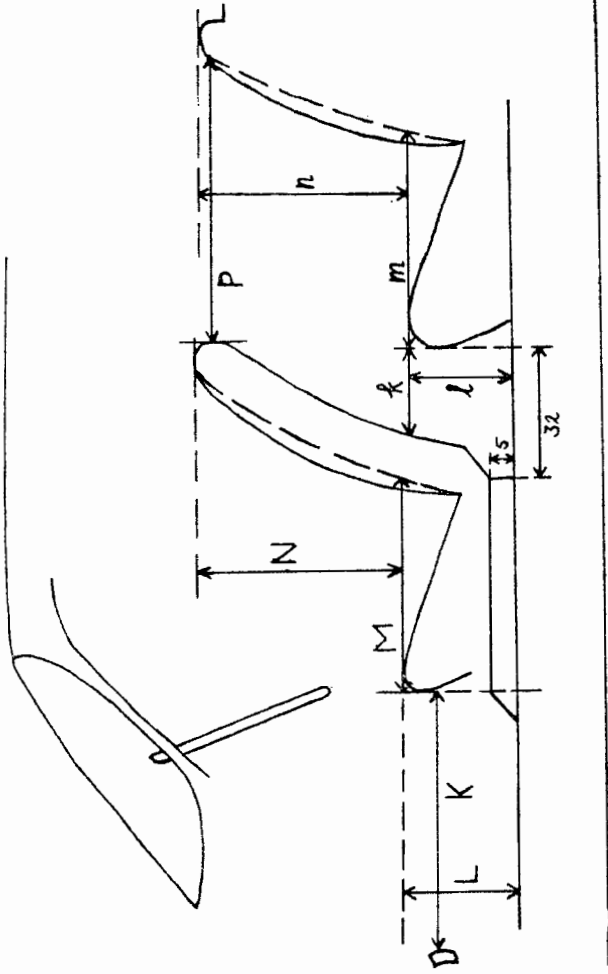


Dessin/drawing No. 1



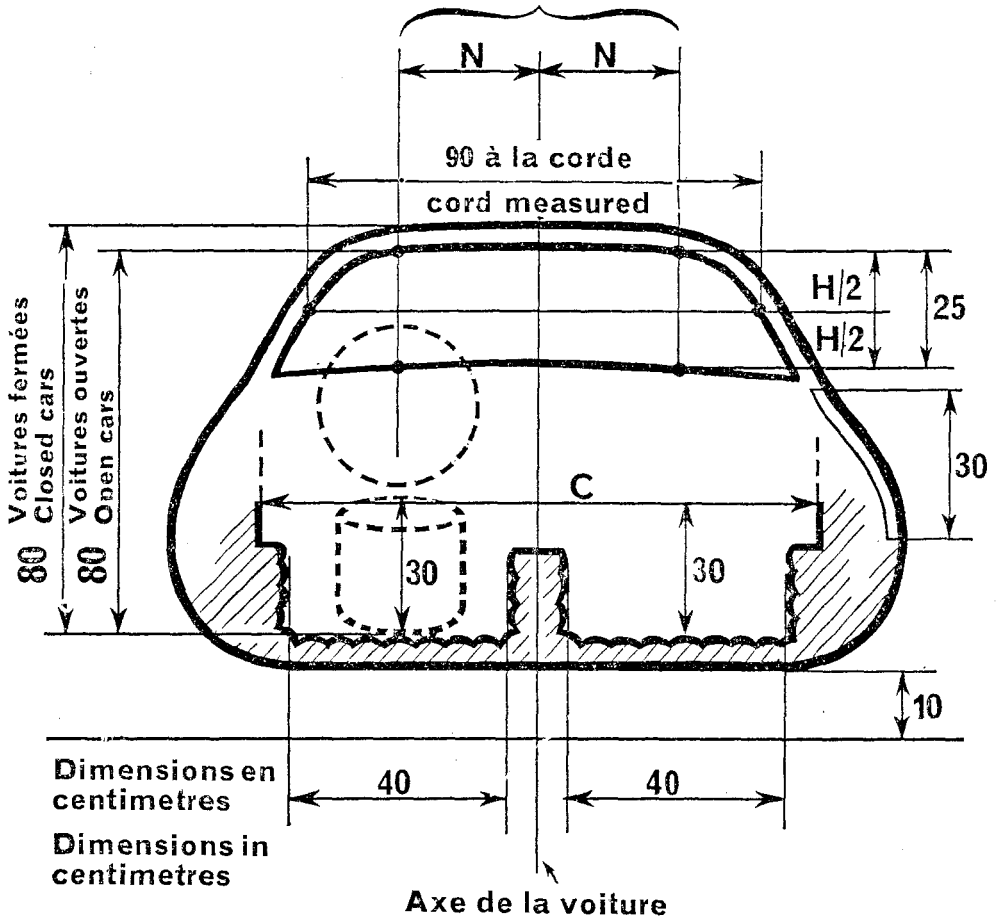
Weight/tare = 60 kgs \pm 200 grms.

Dessin/drawing No. 2



Dessin/drawing No. 3

Largeur sur laquelle la "hauteur protégée" doit être maintenue
Width where the "protected height" must be maintained



$N = N$

$N + N = 45 \text{ cm min}$

Dessin/drawing No. 4

Dessin/drawing No. 4

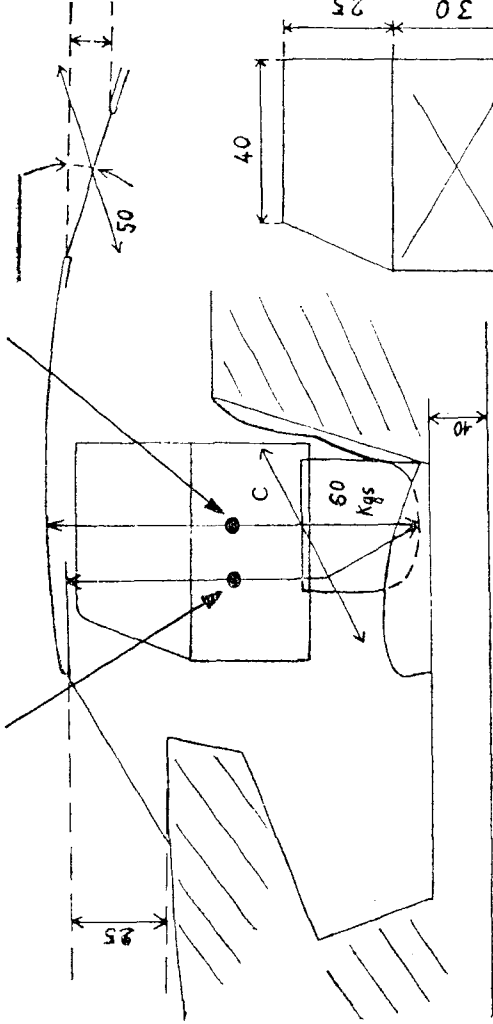
	0-700 cc	700- 2,000 cc	2,000+ cc
C	100	110	120

En dessous de 20° retro-
viseur extérieur
obligatoire

Under 20° rear view
mirror compulsory

80 Voitures ouvertes
80 Open cars

80 Voitures fermées
80 Closed cars



Dimensions en
centimetres
Dimensions in
centimetres

Dimensions portière
Door dimensions

Dessin/drawing No. 5

normally opaque) must be such as to allow a rectangle of at least 50 cm wide and 30 cm high being inserted in it. The corners of this rectangle may be rounded to a maximum radius of 15 cm. Cars with sliding-doors will not be allowed unless they include a safety system enabling a quick and easy evacuation of the car's occupants in case of an accident.

Cars with closed or convertible coachwork shall have doors equipped with moveable windows of the material provided by the manufacturer for the considered model, liable to be opened over at least one third of their surface in order to provide for ventilation, each window having a minimum width of 40 cm and a minimum height of 25 cm.

When opened, the doors must give free access to the seats. They must be made in such a way that they never restrict the lateral view of the driver.

By doors should be understood the part of the coachwork opening to give access to the seats.

g) Rear view: this shall be provided by an inside mirror commanding a rear window measuring at least 10 cm vertically maintained along a width of at least 50 cm. However, if the straight line connecting the upper and lower edges of the rear window opening makes an angle inferior to 20° with the horizontal, when the car complies with the same specifications as those required for checking the ground-clearance (see art. 253), the rear view must be efficiently obtained by other means (two outside mirrors or any other system of equivalent efficiency).

h) Luggage trunk: a covered space shall be provided which is an integral part of the coachwork but outside the space occupied by the passenger seats.

This space shall be such as to enable to carry without special difficulty a number of suit-cases, sheltered from rain or dirt which varies according to the cylinder-capacity of the engine equipping the car (see below), of the following minimum dimensions: 60 cm×40 cm×20 cm.

Cylinder-capacity inferior or equal to 2,000 cc: 1 suit-case,

Cylinder-capacity superior to 2,000 cc: 2 suit-cases.

However, in cars having inside dimensions which are inferior to the minima laid down in article 253 b to allow classification as a four-seater, but which contain a compartment behind the front seats liable to receive passengers, this compartment may be taken into account as luggage space whether or not it has been equipped for this purpose but without modifying any of the original parts.

i) Starting: cars must be equipped with a device and its source of power for automatically starting the engine and able to be actuated by the driver sitting at the wheel.

j) Fuel tanks: the total capacity of the fuel tanks (main and additional) must not exceed the following limits:

Cars up to 700 cc of engine cylinder-capacity : 60 l.

Cars from 700 cc to 1,000 cc cylinder-capacity: 70 l.

„ „ 1,000 cc to 1,300 cc „ „ : 80 l.

„ „ 1,300 cc to 1,600 cc „ „ : 90 l.

„ „ 1,600 cc to 2,000 cc „ „ : 100 l.

„ „ 2,000 cc to 2,500 cc „ „ : 110 l.

„ „ 2,500 cc to 3,000 cc „ „ : 120 l.

„ „ 3,000 cc to 5,000 cc „ „ : 140 l.

Cars exceeding 5,000 cc „ „ : 160 l.

Will be considered as a fuel tank any container holding fuel which can flow out by any method either to the main-tank or directly to the engine.

The filling-port(s) (and vents) of each tank must always be outside the passenger-compartment and be entirely leak-proof.

Safety type fuel tanks

The FIA has followed with great interest the introduction on the car accessory market of safety type fuel tanks, generally in the form of a tank in normal sheet steel with a layer of rubber inside (so called "bladder" type tanks) but sometimes also entirely made of synthetic material.

In order to promote the use of these tanks which are a considerable improvement in the drivers' safety, and to avoid any kind of administrative complications (conformity of the cars with their recognition forms, etc.), the use of safety type fuel tanks will be allowed and even recommended for all groups of cars of Appendix J and in all motor sport events.

Nevertheless, for cars of groups 1, 2 and 3 of Appendix J, the fitting of safety tanks will be allowed only if the manufacturer of the car has recognized them as such and provided they do not exceed the capacity of the original tanks as stated on the recognition form.

Location of fuel tanks: *The emplacement foreseen by the manufacturer for the fuel tank(s) and the feeding system towards the engine, constitutes one of the principles of series-production, and this implies that no change can be made, unless an authorization is explicitly stated in Appendix J.*

However, a derogation to the above rule shall be made for cars in which the manufacturer has placed the fuel tank inside the passenger compartment, and close to the occupants.

In this specific case, and for the sake of safety, it will be possible, whatever the group of cars, to mount a leak-proof protective barrier between the tank and the passengers, or to change the place of the tank and, if necessary, its accessory parts (filling port, petrol pump, outlet tube).

k) Spare-wheels: all cars shall be equipped with at least one spare wheel with its tyre occupying the position provided for by the manufacturer which may not encroach upon the space provided for luggage.

The spare wheel must be equipped with a tyre of the same dimensions as those fitted on at least two wheels of the car.

l) Silencer (muffler) and exhaust system: even when the specific provisions for a group allow replacement of the original muffler, cars competing in an open road event shall always be equipped with an exhaust muffler complying with the road regulations of the country(ies) through which the event is run.

For events run exclusively on closed circuits, the supplementary regulations may authorize modification, replacement or removal of the exhaust muffler.

The outlet pipes of the muffler shall be directed either rearwards or sideways. If the outlet pipes are pointing rearwards, their orifices shall be placed at a height neither superior to 45 cm nor below 10 cm; they shall not protrude by more than 15 cm beyond the overall length of the car. If the exhaust pipes are directed sideways, their orifices must be located aft of a vertical line passing through the wheelbase centre and may not project in any way beyond side of the coachwork. Adequate protection shall be provided in order to prevent heated pipes from causing burns.

m) Safety devices: for cars competing in events which are speed races exclusively the following safety devices are foreseen:

1st) for cars with an open coachwork: compulsory fitting of a roll bar being 3 cm higher than the driver's helmet and being wider than the driver's shoulders when seated at his wheel;

2nd) for cars with a closed coachwork: optional fitting in of a roll cage improving the rigidity of the body and meant to prevent it from crushing in the

event of a violent shock or a somersault. This roll-cage must be mounted in such a way that:

- it shall in no way interfere with access to the seats and normally occupying them;
- it shall not encroach on the volume reserved for the driver or any of the passengers;
- the exact weight of the device shall be subject to a statement from the competitor, to be appended to the entry form. This weight must be added to that indicated for the vehicle on the recognition form.

The fitting of the above mentioned safety devices, which is mandatory for speed events (open cars), is authorized and even recommended for regularity trials.

n) General circuit breaker: all cars participating in speed races on closed circuits or in hill-climbs must be equipped with a general electric circuit breaker, which must be clearly marked. Closed cars must be fitted with two circuit breakers, one in the driver's compartment and one outside the vehicle in an easily detectable location. The fitting of such circuit breakers which is compulsory for speed events on circuits and hill-climbs is authorized and even recommended for rallies.

o) Oil catch tank: when cars are running in events which are only speed races on closed circuits, they must be equipped in such a way as to prevent oil from spilling on the track. In cars of a cylinder-capacity inferior or equal to 2,000 cc, the oil catching device shall have a minimum capacity of 2 litres and of 3 litres for cars with a cylinder-capacity exceeding 2,000 cc. This provision, mandatory for circuit speed events, will be optional for the other events (hill-climbs, rallies, even those including classification tests run on closed tracks) unless required by the supplementary regulations.

p) Minimum lighting equipment:

- for speed events on closed circuits and for hill-climbs, cars must be equipped with two "Stop" lights. In addition for events run during the night, cars must be fitted with at least two headlights as effective as those normally fitted on FIA homologated Touring or Grand Touring cars and two direction indicators mounted at the rear.
- for events run on open roads (rallies), cars must comply with the legal requirements of the country of the event; cars from other countries must comply in this respect with the Convention on international road traffic.

q) Limits of authorized modifications: certain modifications to the original parts, certain additions and/or removal of accessories normally mounted by the manufacturer of the model concerned, are explicitly authorized by the present regulations. The limits of these modifications are set out for each of the 6 groups of categories A and B. All those not explicitly mentioned as permissible for the group in which the car claims classification and which affect, even secondarily, the mechanical efficiency of the engine, the steering, the transmission, the road-holding and/or the braking, will imply the exclusion of the car from its group.

If these modifications or additions have been the subject of a previous statement by the entrant, the car may be allowed to compete in the event in one of the other groups provided in the supplementary regulations and with the prescriptions of which it complies. Should there be however an obvious case of wilful misrepresentation, the entrant should not be authorized to start or should be stopped if he had already started, with request to the ACN concerned to pronounce his suspension for at least 12 months.

r) Fuel: for speed races on circuit and hillclimbs: the fuel defined under Art. 297 hereafter. For rallies: a commercial fuel freely sold in the country(ies) traversed by the event. If in one of the countries the standards of the best com-

mercial fuel are inferior to the fuel having the lowest octane number in one of the three following countries: France, Great Britain, Italy, a special waiver may be granted to the promoters with the approval of the CSI.

Upper-cylinder or two-stroke engine lubricants are authorized on condition there is no increase of the fuel octane number.

s) Application of general prescriptions: the general prescriptions must be complied with if the particular specifications of groups of cars of categories A and B do not mention them or do not provide for any stricter prescription.

Art. 254.—Rule for changing from one group to another and authorized amalgamation of groups: cars originally belonging to a certain group but which have been subject to duly declared modifications and/or additions that exceed the limits specified for the group concerned, may pass into a higher group, provided for in the supplementary regulations, with the prescription of which it complies and under the following conditions:

- Group 1 passes into group 2.
- Group 2 (or 1+2) passes into group 5.
- Group 3 passes into group 4.
- Group 4 (or 3+4) passes into group 6.
- Group 6 (or 3+4+6) passes into group 7.

TITLE II

SERIES PRODUCTION TOURING CARS

Art. 255.—Definition: touring cars built on large series production terms. These cars shall compete in an event without having undergone any preparation likely to improve their performances or their conditions of use. The only working authorized is normal maintenance or the replacement parts damaged through wear or accident and the modifications and additions explicitly authorized hereafter under article 257. Except for what is explicitly authorized any part damaged through wear or accident may only be replaced by an original part which must be exactly the same as the one for which it is substituted.

Art. 256.—Minimum production and number of seats: series-production touring cars shall have been manufactured in a quantity of at least 5,000 identical units and offer at least 4 seats, except if their engine cylinder-capacity is inferior or equal to 700 cc. In which case the manufacturer may deliver them as two-seaters.

Art. 257.—Mountings and modifications authorized :

a) Lighting devices: all lighting and signalling devices must comply with the legal requirements of the country of the event; cars from abroad must comply in this respect with the Convention on international road traffic.

Lighting devices which are part of the standard equipment must remain those foreseen by the manufacturer and must comply as far as is concerned their functioning with what the manufacturer has foreseen for the considered model. Thus, if changing from a road beam to a passing beam is produced by merely deflecting the beam inside one same reflector, this system may not be altered.

Freedom is granted with regard to the frontal glass, the reflector and the bulbs.

It is permitted to add at the front only two lighting devices in addition to those normally provided by the manufacturer and mentioned on the recognition form.

The mounting of reverse-lights is authorized provided police regulations are respected but not the fitting of manoeuvrable search-lights on the roof or elsewhere.